

ORDER INFORMATION

Specialty Gas Regulator

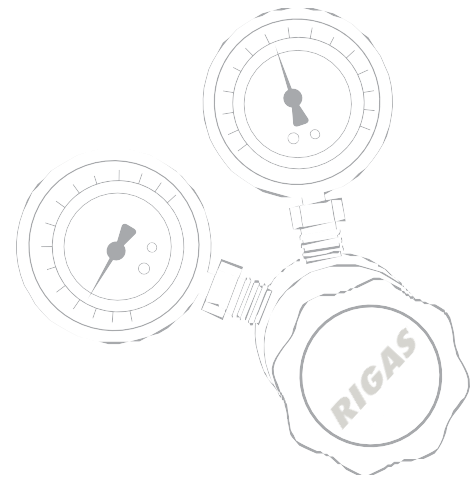
- 내면 처리 방식에 따라 G-series(General) / S-series(Special), Body 재질에 따라 Brass (Ni-Plated) / SUS316L로 구분되며 1 Stage (Single-stage) / 2 Stage (Double-stage)로 선택 주문 가능합니다.
- In/Outlet connection은 사용자의 요구에 맞추어 제공해 드립니다.
- They are categorized into G-series (General) and S-series (Special) by inner surface treatment, into Brass(Ni-plated) and SUS316L products by body material, and into single-stage and double-stage products by stage.
- We can customize in/outlet connection as per customer's demands.

Series	Material	Stage	Inlet Pressure Gauge	Pressure Control Range	Inlet Connections (Nut type)	Outlet Connections (Male connector)
G	S : SUS316L	1 : 1stage	25 : 25MPa	06 : 0.6MPa	R : 22mm-RH L : 22mm-LH	1 : No Option 2 : 1/4 inch 2 : 1/8 inch
S	B : Brass (Ni-Plated)	2 : 2stage				

Example

• Model : **G B 1 25 06 - R 1**

Series Brass(Ni-plated) 1Stage Gauge 25 MPa x 0.6 MPa Inlet connection : 22mm-RH
Outlet connection : 1/4 inch



RIGAS 리가스
Research Institute of Gas Analytical Science

☎리가스 www.rigas.co.kr/ch/

E-mail. master@rigas.co.kr Tel. 042-934-6900(0) Fax. 042-935-8814
Address. 대전광역시 대덕구 대덕대로1284번길 17(신일동) 우편번호 34323

RIGAS Co., Ltd. www.rigas.co.kr/eng/

E-mail. sales@rigas.co.kr Tel. +82-70-5031-6941 Fax. +82-42-935-8814
Address. 17, Daedeokdae-ro 1284beon-gil, Daedeok-gu, Daejeon, Korea(South), 34323

韩气科研 www.rigas.co.kr/ch/

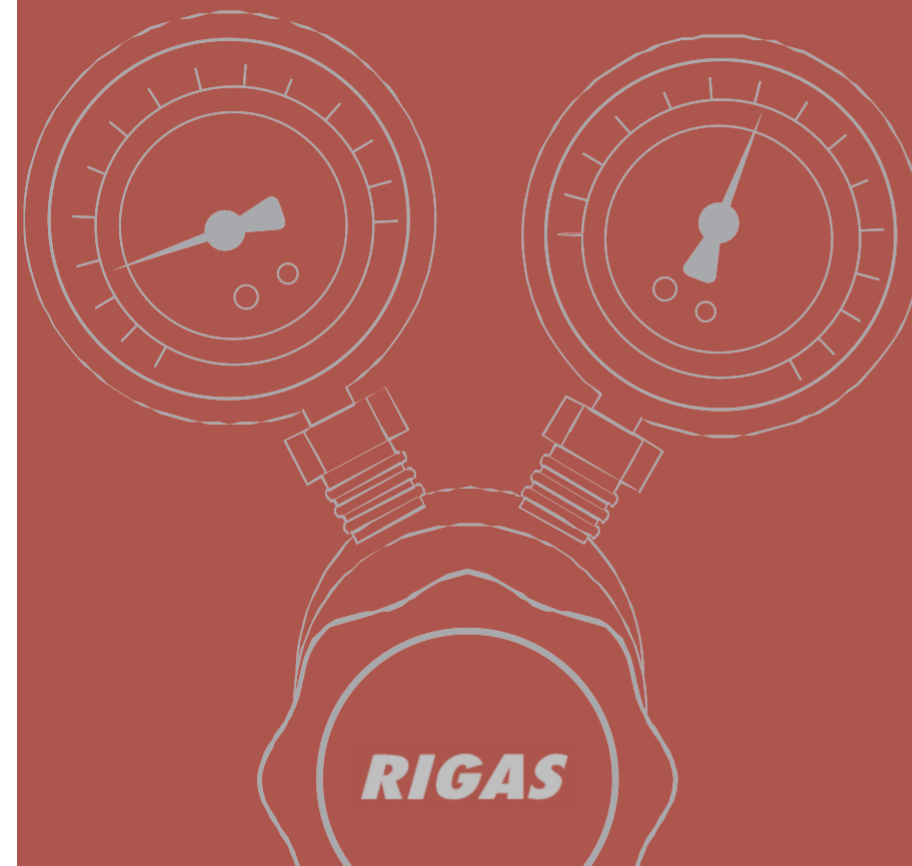
E-mail. sales@rigas.co.kr Tel. +82-70-5031-6941 Fax. +82-42-935-8814
Address. 大韩民国 大田广城市 大德区 大德大路 1284番街 17 (新一洞) 邮编 34323



RIGAS

Research Institute of Gas Analytical Science

Specialty Gas Regulator



RIGAS 리가스
Research Institute of Gas Analytical Science

Specialty Gas Regulator

Research Institute of Gas Analytical Science



RIGAS 레귤레이터는 가스분석에 최적화된 제품으로 일반 산업용 레귤레이터에 비해 분석 결과의 정확도 향상에 적합한 제품입니다.

RIGAS regulators are optimized for gas analysis, and are more suitable to improve the accuracy of analytical results than the general industrial regulators.

Specification

Specialty Gas Regulator

Body	Brass (Ni-Plated) / SUS316L	Inlet port size	1/4 Inch NPT
Seat	PCTFE / PTFE	Outlet port size	1/4 Inch NPT
Diaphragm	SUS316L / Hastelloy	Maximum Inlet Pressure	25 MPa
Stem	SUS316L	Outlet pressure	0.6 MPa
Temperature Range : -40°C~74°C			

Applications

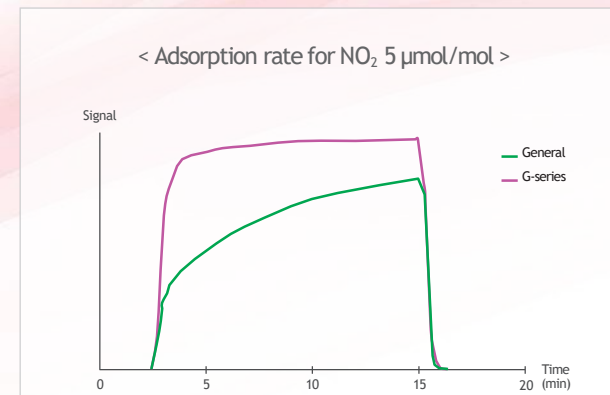
Specialty Gas Regulator

- Research Laboratories
- Gas Chromatography
- Laser Gas System
- Process Analyzer
- Zero & Calibration Gases
- Purging Systems
- HCl, Amine, BTEX, HCHO, HF – Trace analysis

Features

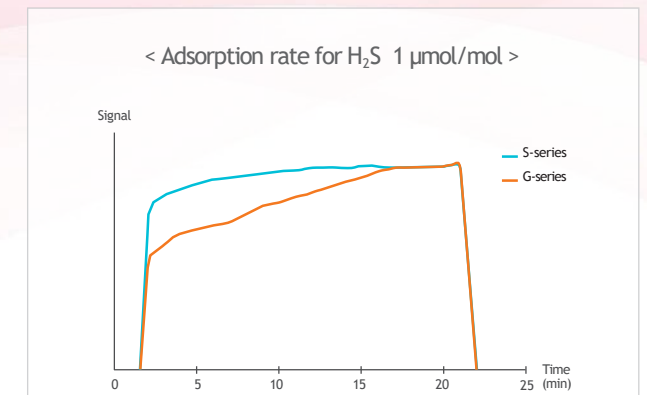
Specialty Gas Regulator

- G-series는 일반 산업용 레귤레이터에 비하여 가스 분석에 최적화된 제품으로서 보다 효율적인 분석에 기여합니다.
- S-series는 G-series 모델의 업그레이드 제품으로서 특수내면처리기법을 도입하여 흡착성 및 반응성 물질에 대한 흡착을 최소화 하였습니다. 이에 따라 측정값의 정확도 및 불확도를 크게 개선할 수 있습니다.
- 성분 및 농도수준에 맞는 적합한 레귤레이터는 www.rigas.co.kr >기술자료 >레귤레이터 선택가이드를 참고하시기 바랍니다.
- The G-series, which is more optimized for gas analysis than the general industrial regulators, contributes to efficient gas analysis.
- The S-series is composed of upgraded products of the G-series models. With special inner treatment, they minimize adsorption by adsorptive and reactive substances. Accordingly, they can contribute to the improvement of the accuracy and uncertainty of measurement values.
- To find regulators suitable for composition and concentration levels, see our homepage, www.rigas.co.kr/eng/ > Technical Data > Guide to Regulator Selection.



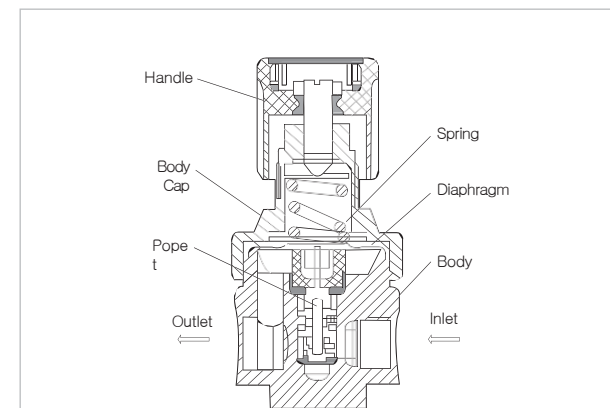
RIGAS G-series vs General regulator

- G-series는 일반 레귤레이터에 비해 빠른 초기 흡착 속도를 가져 전체 분석 시간을 단축할 수 있습니다.
- G-series can contribute to reducing analysis time because the adsorption rate of G-series regulator is faster than that of the general industrial regulators.

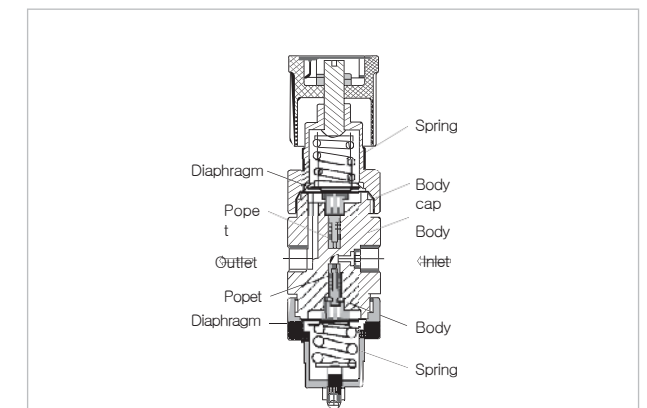


G-series vs S-series

- S-series만의 특수 내면 처리 기법으로 강한 흡착성 성분도 빠르고 정확하게 분석이 가능합니다.
- Through special inner treatment, S-series enable to conduct fast and accurate analysis even for adsorptive gases.



1stage (Single-stage)



2stage (Double-stage)